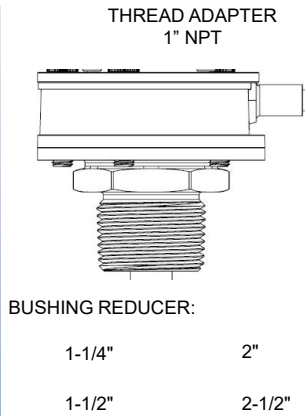
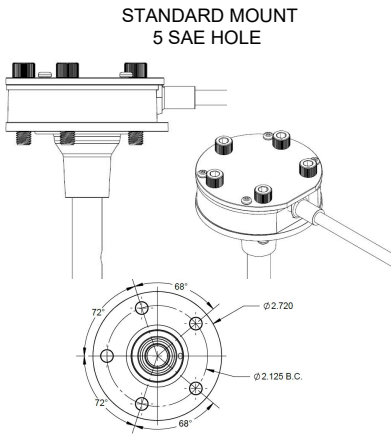


CUSTOMER: _____ REQUESTED BY: _____ DATE: _____

APPLICATION DESCRIPTION: _____ CLEAR FORM GWR II- _____

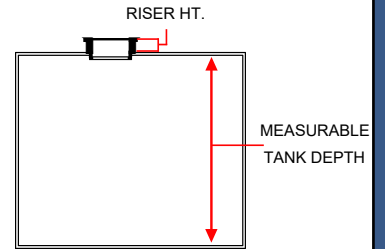
MOUNTING OPTIONS



TANK INFO

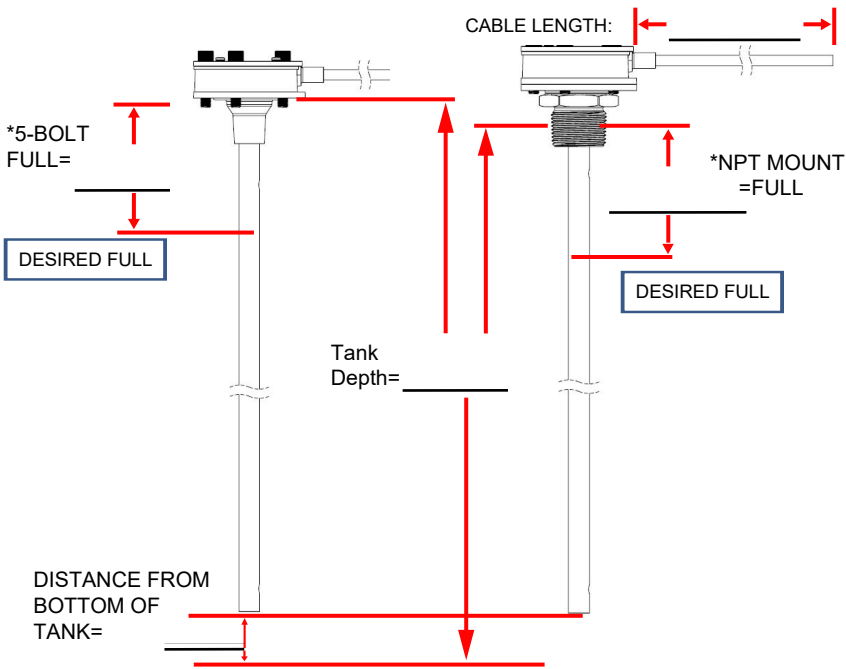
WORKING MEDIA: _____ UNITS: _____
 HYDROCARBONS AQUEOUS SOLUTIONS

MEASURABLE TANK DEPTH: _____
 RISER HEIGHT: _____
 DESIRED FULL FROM MOUNTING SURFACE: _____
 MINIMUM UPPER DEADBAND IS 1" FROM MOUNTING SURFACE



GUIDED WAVE RADAR II DATA

UNITS: _____



HARNESS & CONNECTORS

HARNESS:
 STANDARD OPTIONS
 24" HARNESS
 FLYING LEADS
 CUSTOM HARNESS:
 DESIRED HARNESS LENGTH: _____
 DESIRED CONNECTOR: _____
 BRAND: _____
 MODEL #: _____

ELECTRONIC OUTPUT

VOLTAGE
 0V - 5V 0.5V - 4.5V

CURRENT
 4-20 mA

DESIGN BASED ON 3-WIRE; SUPPLY VOLTAGE 9V TO 32V

MECHANICAL SPECIFICATIONS

OPERATING PRESSURE
 CONTINUOUS: 6 psi
 MAXIMUM: 15 psi

OPERATING TEMPERATURE
 MINIMUM: -40C
 MAXIMUM: 85C

OPERATING RESOLUTION
 RESOLUTION: 2mm
 ACCURACY: $\pm 3\%$

GENERAL

APPROVAL SAMPLES REQUIRED YES NO

QUANTITY _____ DELIVERY TIME _____

ESTIMATED ANNUAL USAGE _____

ADDITIONAL NOTES