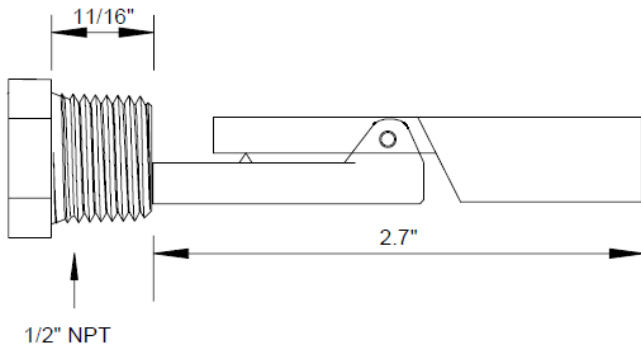


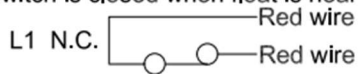
We excel at LOW COST and HIGH QUALITY SM-4120-PP (9872-00255)

MANY OTHER VARIATIONS AND OPTIONS ARE AVAILABLE



WIRING DIAGRAM

Switch is closed when float is near stem



SPECIFICATIONS

MATERIAL: Polypropylene

FITTING: 1/2" NPT

SWITCH: SPST, 20 watt maximum
265 volts and 1 amp maximum values
N.C. reversible to N.O.

WIRING: Red, 22 ga. PTFE, 24" length

MAXIMUM PRESSURE: 100 PSI

OPERATING TEMPERATURE: -20 °F to +180 °F

Do you need something to be different?

No problem, call or email and let us know how we can modify this product to meet your exact requirements.