

# We excel in LOW COST and HIGH QUALITY SM-4115-PP (9872-00009)

**MANY OTHER VARIATIONS AND OPTIONS ARE AVAILABLE**

## SPECIFICATIONS

**MATERIAL:** Polypropylene

**FITTING:** M16 threads with nut and sealing grommet

**SWITCH:** SPST, 20 watt maximum

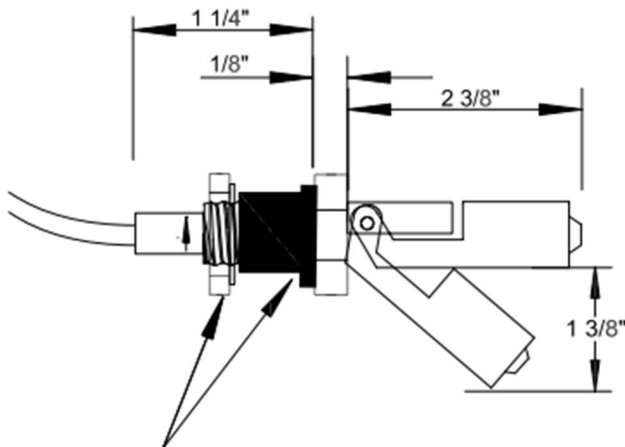
265 volts and 1 amp maximum values

N.C. reversible to N.O.

**WIRING:** Red, 22 ga. PTFE, 24" length

**MAXIMUM PRESSURE:** 100 PSI

**OPERATING TEMPERATURE:** -20 °F to +180 °F

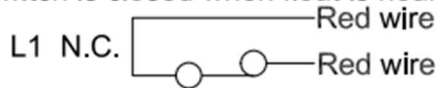


Gasket: As the nut is tightened on the thread, the gasket diameter will expand.

Recommended mounting hole size: 7/8"  
Recommended wall thickness: 1/32" to 3/8"

## WIRING DIAGRAM

Switch is closed when float is near stem



*Do you need something to be different?*

No problem, call or email and let us know how we can modify this product to meet your exact requirements.